



BOLLFILTER
Protection Systems

Industry & Environment

BOLLFILTER Automatic
TYPE 6.04



HIGH QUALITY
- LOW COST

Fully automated protection filtration for flow rates up to 18 m³/ h

Fully automated protection filtration with relatively low flow rates, for example, for machine and plant systems for [sprinkling](#) or [spraying](#), requires a powerful and [proven backflushing filtering system](#) that works on an extremely high technical level, and is safe during use and permanently cost-effective.

The BOLLFILTER Automatic Type 6.04 is used for the filtration of the following media, for example:



Irrigation water



Domestic water



Cooling water & coolants



Service water



Industrial Water



Process water



Seal water



City water supply



Sprinkling water



Washing and cleaning water



Effluent



Water for snow production

High quality and low maintenance despite low costs

The BOLLFILTER Automatic Type 6.04 is characterized by technological quality that optimally meets the requirements for protection filtration. Low purchase and operating costs ensure [high cost efficiency](#). Considered from both an environmental and economic point of view, the automatic filter is a sensible, enduring and profitable investment in the protection of machinery and plant systems.

The capable logistics of BOLL & KIRCH ensure fast delivery. The unique filter design allows for extremely easy set-up ("plug and play"). With easy access to the few functional units, it is [extremely maintenance-friendly](#). No tools are required for maintenance.



Flush valve with camlock quick coupling and LED display



Functional unit filter element



Knurled nut for cap opening



The solution

Innovative filtration system „made in Germany“

The medium to be filtered flows through the inlet flange ① in the filter housing and into the open end of the filter candles ②. The medium flows through the filter candles from the inside out and the particles contained in the medium are retained on the filter of the filter candles. The purified medium passes to the filter outlet ③. The sludge drain valve ④ is closed. The drive motor ⑤ is turned off.

The impurities retained on the filter candles produce an increasing pressure differential between the filter inlet and outlet. If the pressure differential reaches a certain level, the control backflush is triggered. On initiation of the backflush, the drive motor is turned on. This turns the rinse wheel ⑥ on the individual filter candles. At the same time the sludge drain valve is opened. This results in a high axial flow in the filter candle and the retained dirt particles are flushed out and passed through the tube ⑦ from the filter. After about two revolutions of backflushing the control switches the drive motor off. The sludge drain valve is closed. The filter is cleaned. By flushing the individual filter candles, the full flow rate is maintained even during the regeneration phase.

The advantages

Technologically high-quality & cost-efficient

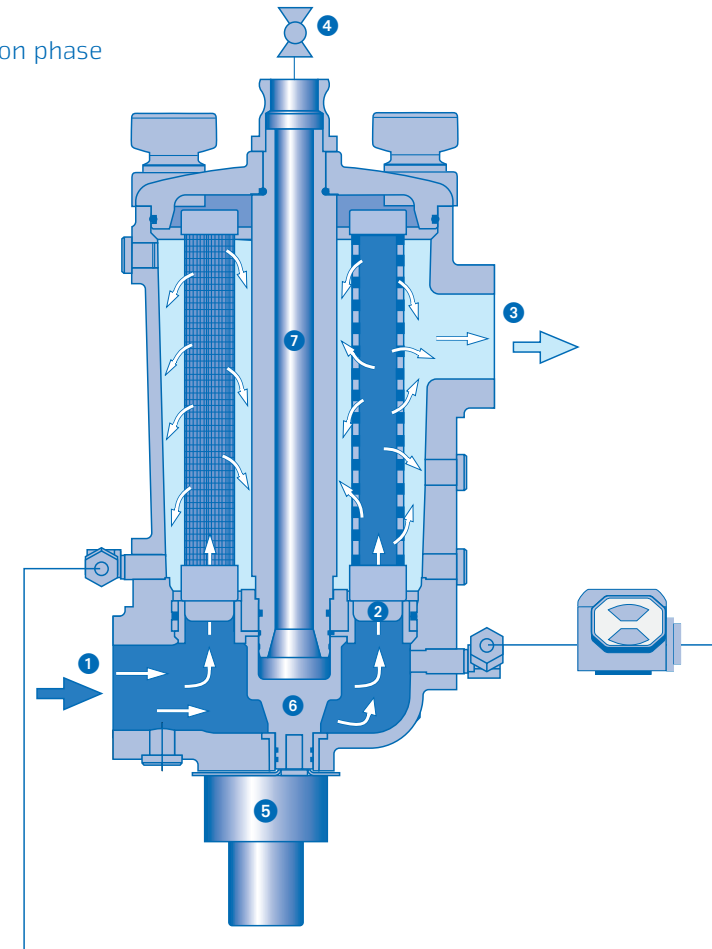
The capable logistics of BOLL & KIRCH ensure very fast delivery and easy installation of the filter within the unit that is to be protected. The BOLLFILTER Automatic Type 6.04 has a robust and suitable compact design. The filter is made of only a few components, allowing easy access to the internal functional units and a high level of freedom for maintenance. All pressure parts, the cover and the housing of the filter, are made from aluminum and all internal parts are made of lightweight plastic. The removal of the outer function units is easy to do and allows maintenance of the filter without using any special tools.



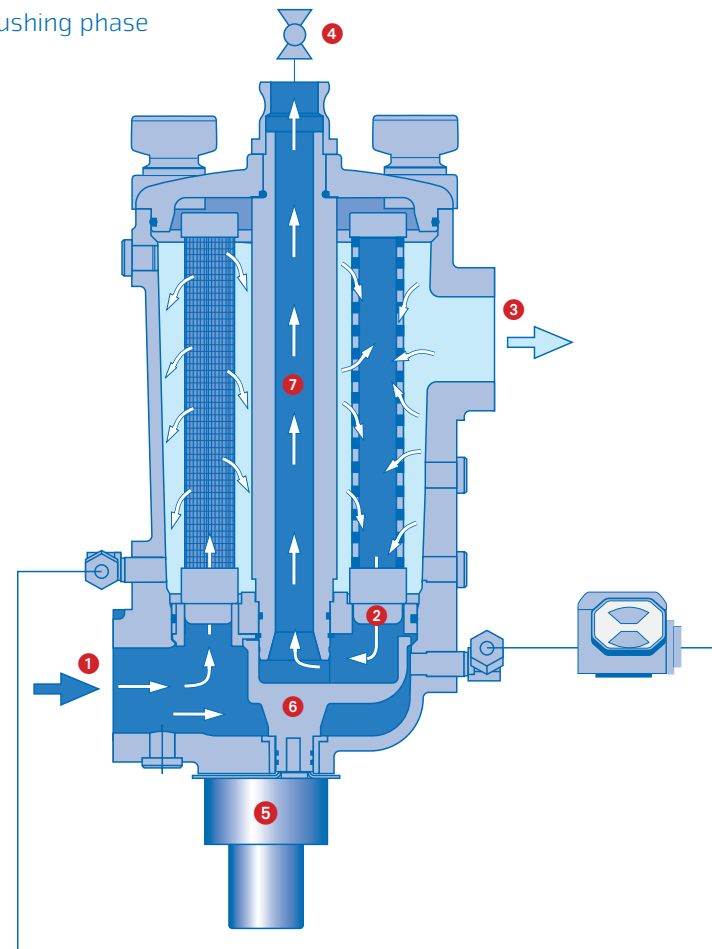
Functional unit - filter element with wire mesh candle

The solution

Filtration phase



Backflushing phase



Control and monitoring
The BOLLFILTER Automatic is equipped with built-in electronic controls

- LED display for operation, back-flushing and breakdown
- Protection class: IP65

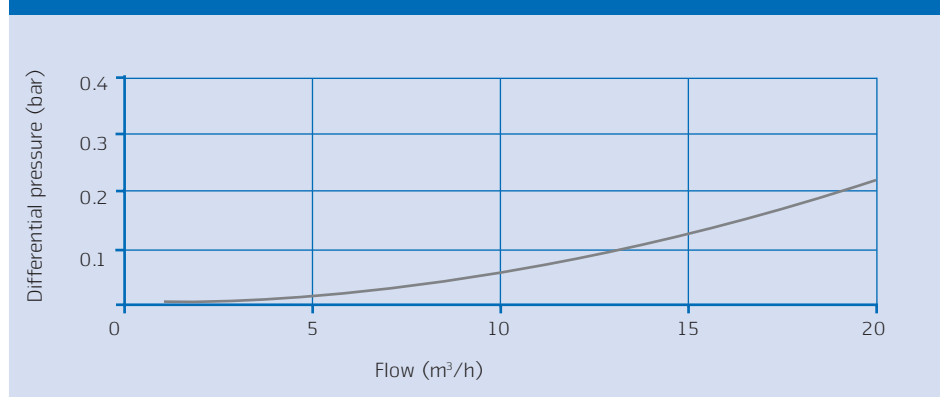


Overview of facts and figures



Type 6.04	
Applications	Filtration of water and other low-viscosity liquids
Max. flow rate	18 m ³ /h or 300 l/min
Max. filter mesh	25 µm - 250 µm (dependent on filter candle)
Operating pressure	Max. 16 bar
Operating temperature	0°C - 60°C
Pressure bearing parts, covers and housing	Aluminum, hard coated
Internal parts, rinse wheel	Plastic
Filter element	8 x screw-in candles with filter area of 1,200 cm ²
Filter candles	Stainless steel
Volume	3.5 litres
Nominal size	DN 40 or G 1½
Operating voltage	24 V DC
Optional accessories	230 V AC adapter

Pressure loss curve type 6.04



Quality and Environmental Management

BOLL & KIRCH Filterbau GmbH offers the highest quality standards from development and production through to the use of the products. Our quality and environmental management system is designed according to international standards and is regularly audited externally. Since 1994, it has been ISO 9001 accredited and since 2001, ISO 14001 accredited.



Overview and selection guide

The BOLLFILTER in the 6.18 series

For application-specific system solutions and/or high flow rates up to 9,000 m³/h, the BOLL & KIRCH product range includes the automatic water filters in the 6.18/6.19 and 6.18.2 series. For more information, please refer to the product brochures. Please note:

Type 6.18/6.19 is suitable for many applications of water filtration and in terms of capacity, precision and reliability is more than adequate for demanding tasks.

Type 6.18.2 Heavy Duty is a special solution, required only in exceptional cases for extremely difficult operating conditions, for example in the filtration of water with extremely high levels of dirt.



6.18/6.19

6.18.2

Type 6.18.2 BWT is intended as a single unit solution specifically and exclusively for the protection of ballast water treatment systems on ships.

BOLL & KIRCH will happily help you with your choice of the optimal solution for your particular application.

BOLLFILTERs Automatic are characterized by the following particularly positive features:

- large filter areas
- precisely defined filter fineness
- long life
- long service life
- easy and quick cleaning and maintenance
- precise function of the backflushing device
- consistent removal of filtered solids
- easy to use
- compact design
- low pressure losses
- low operating costs
- low flush volumes



BOLL & KIRCH Filterbau GmbH

P.O. Box 14 20 • 50143 Kerpen • Germany
Siemensstr. 10-14 • 50170 Kerpen • Germany
Tel: +49 2273 562-0
Fax: +49 2273 562-223
e-mail: info@bollfilter.de
Internet: www.bollfilter.de